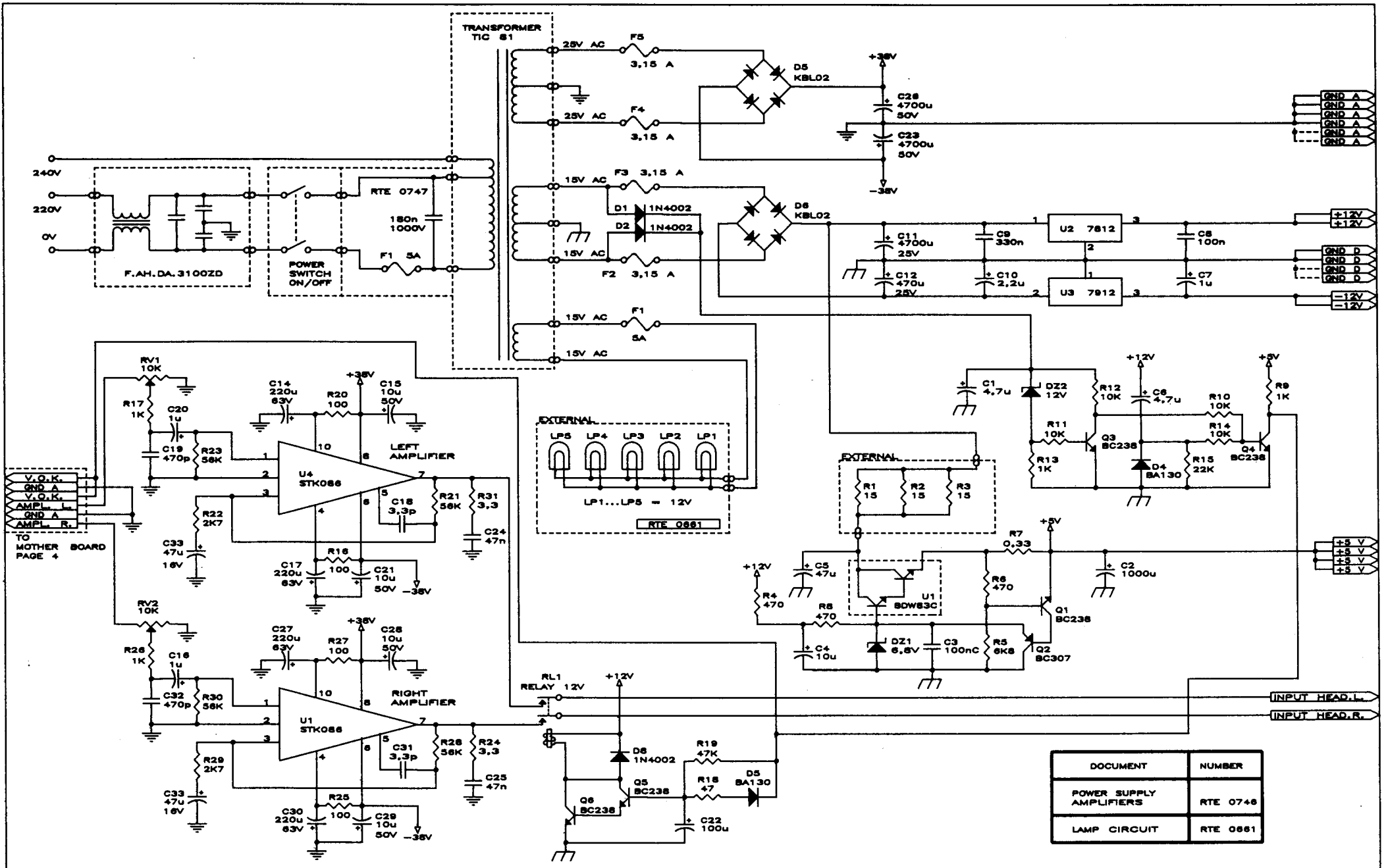


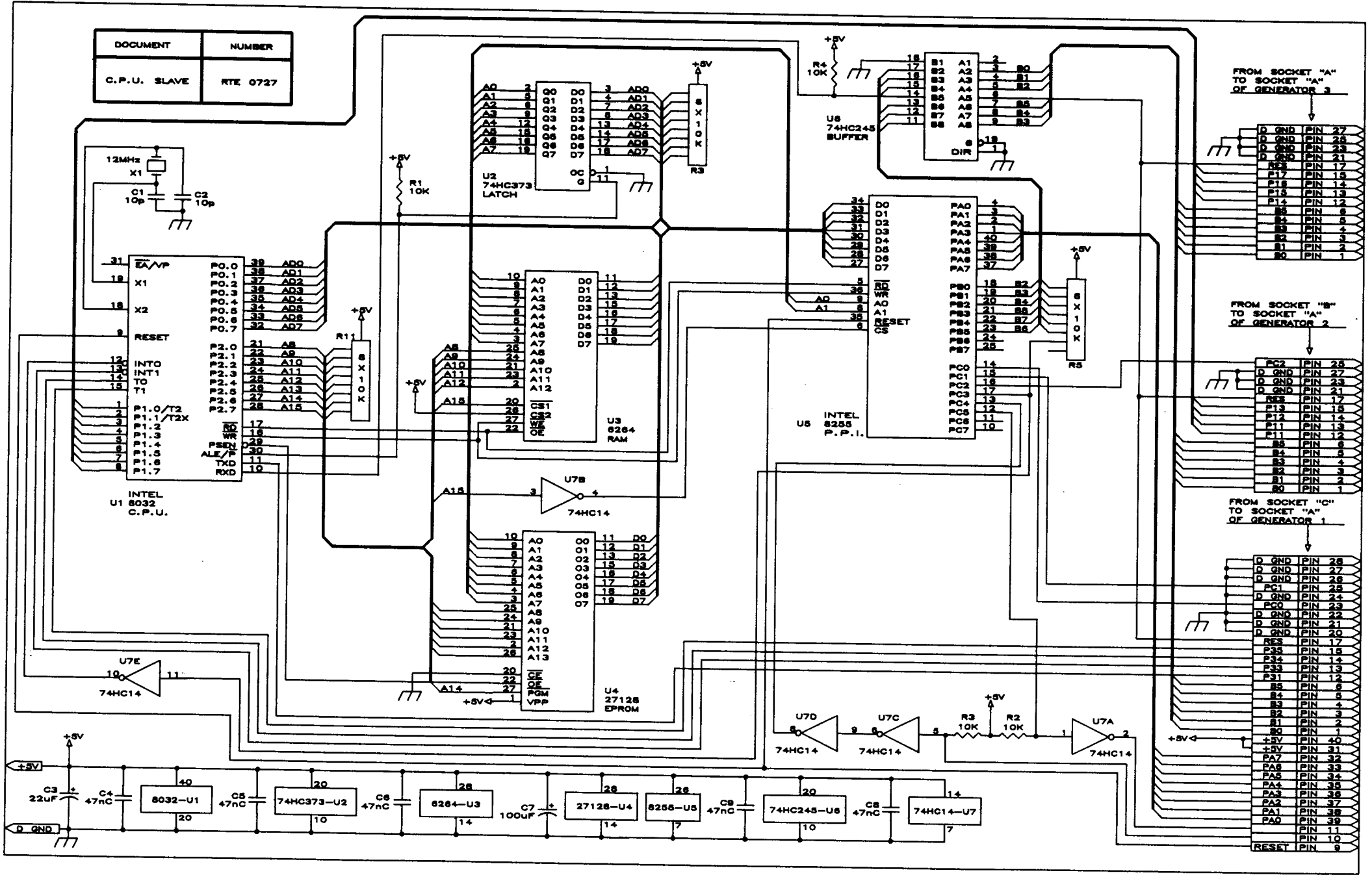
**viscount**<sup>®</sup>  
Church Organ Division

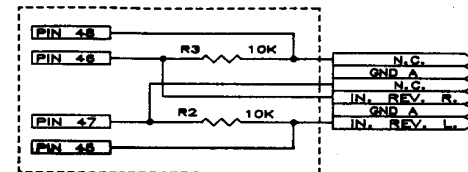
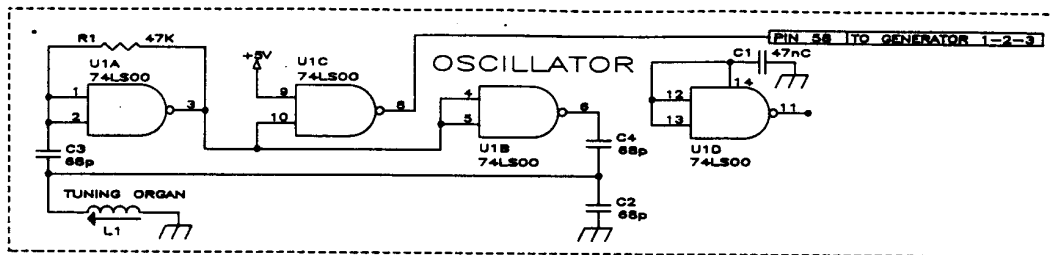
Manuale di Servizio - Service Manual  
Schaltplan - Schéma Technique

**Domus 830/832/1030**  
**Canticus 320**

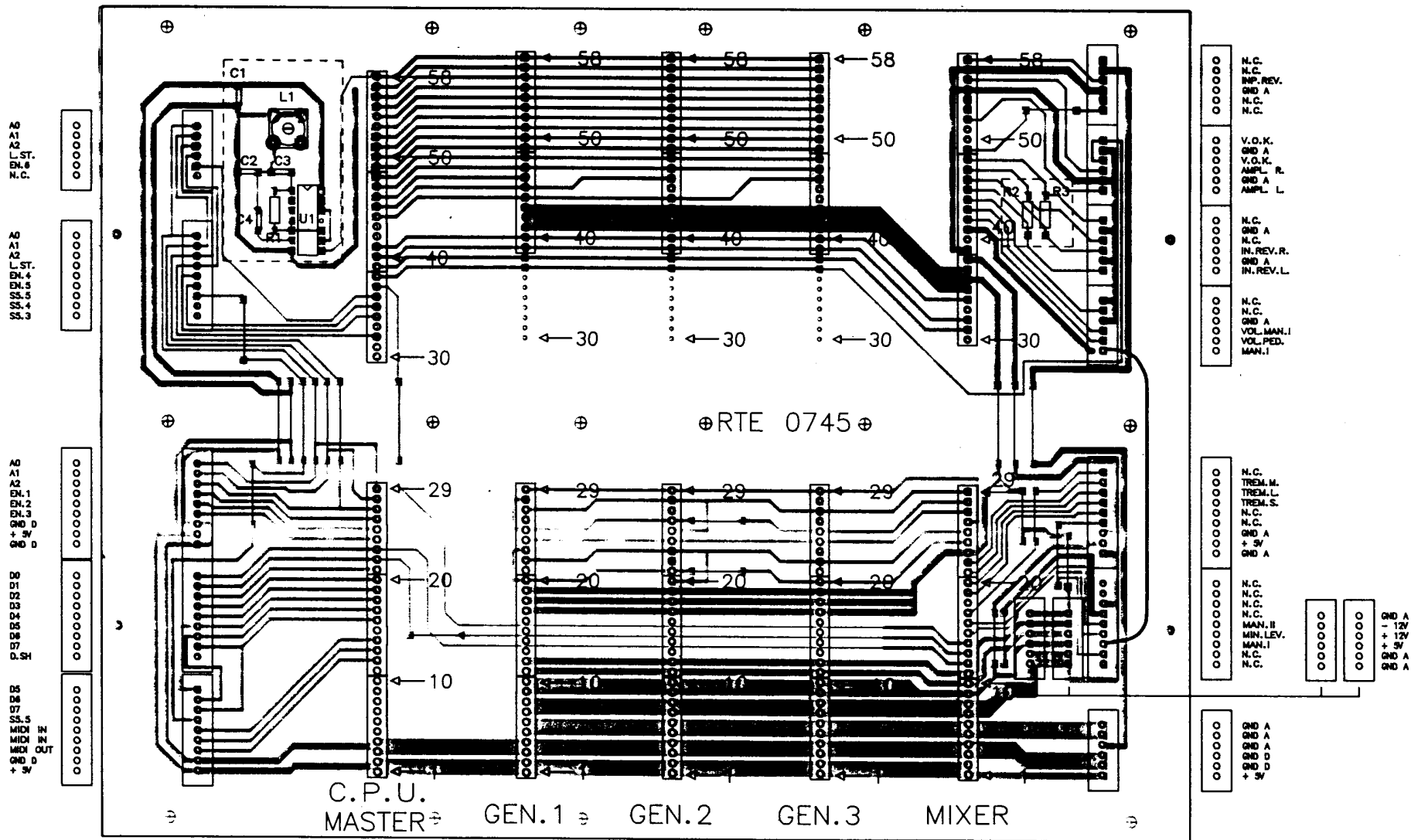


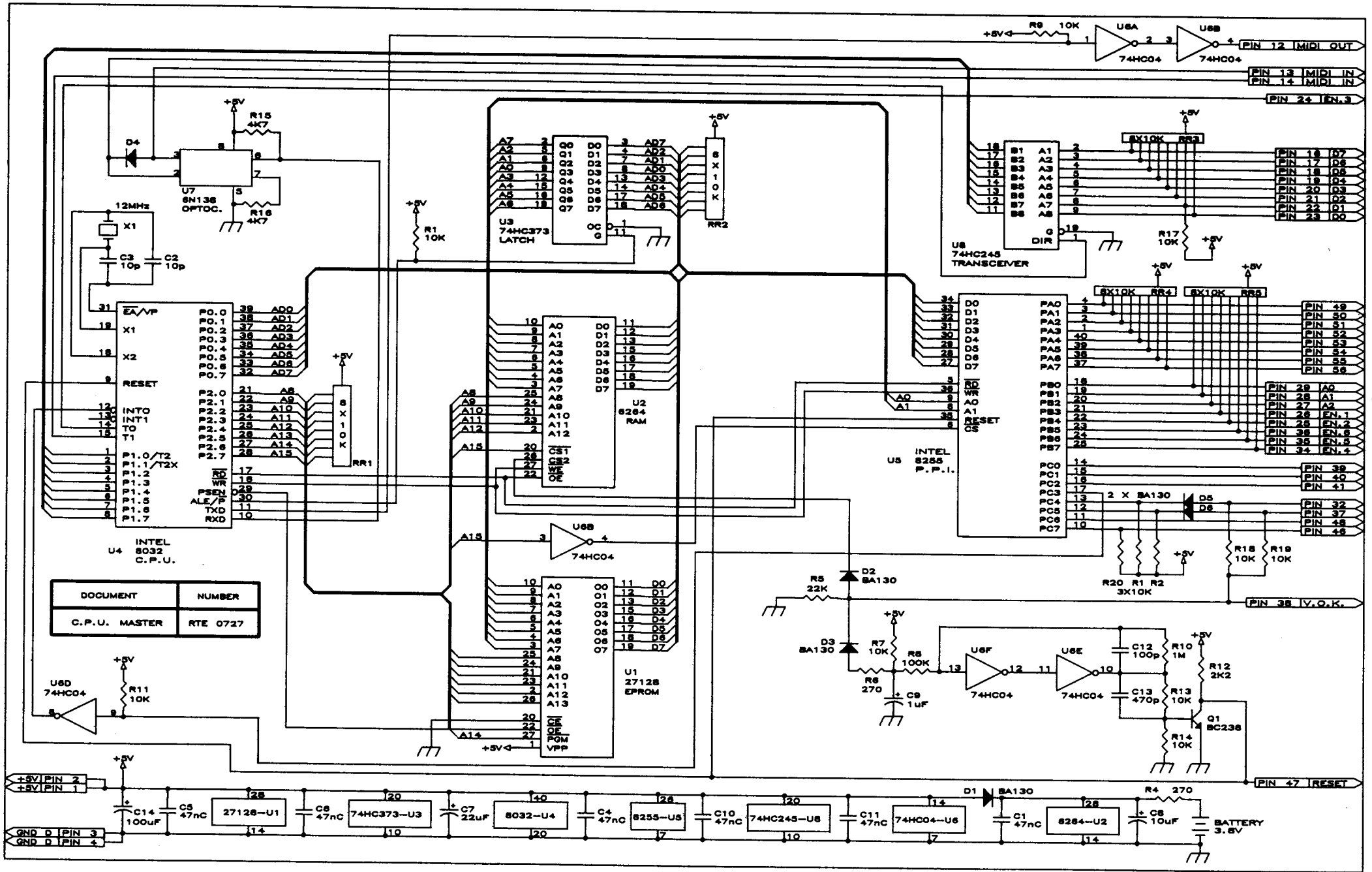
DOCUMENT	NUMBER
C.P.U. SLAVE	RTE 0727

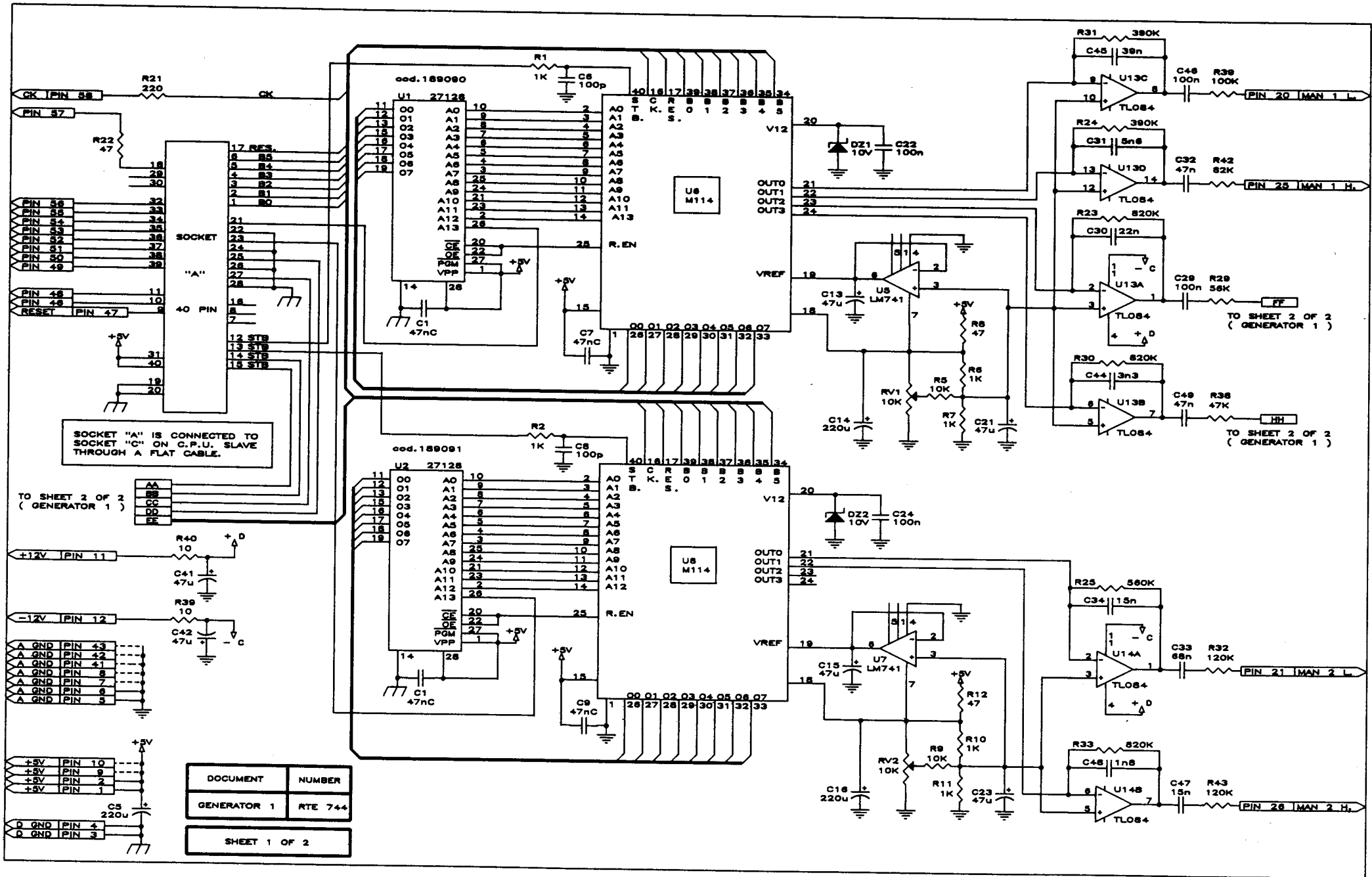




MOTHER BOARD



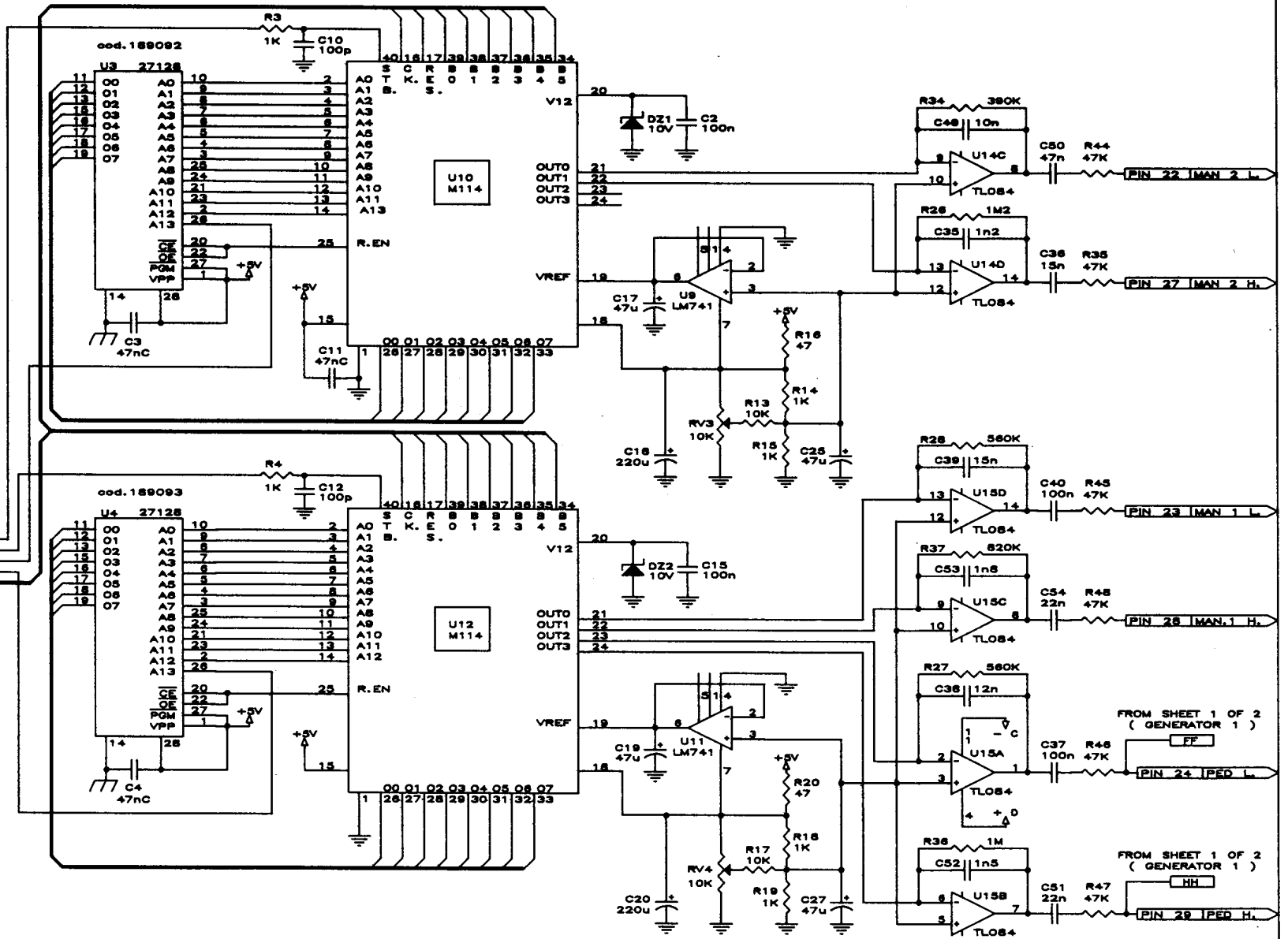




FROM SHEET 1 OF 2  
( GENERATOR 1 )

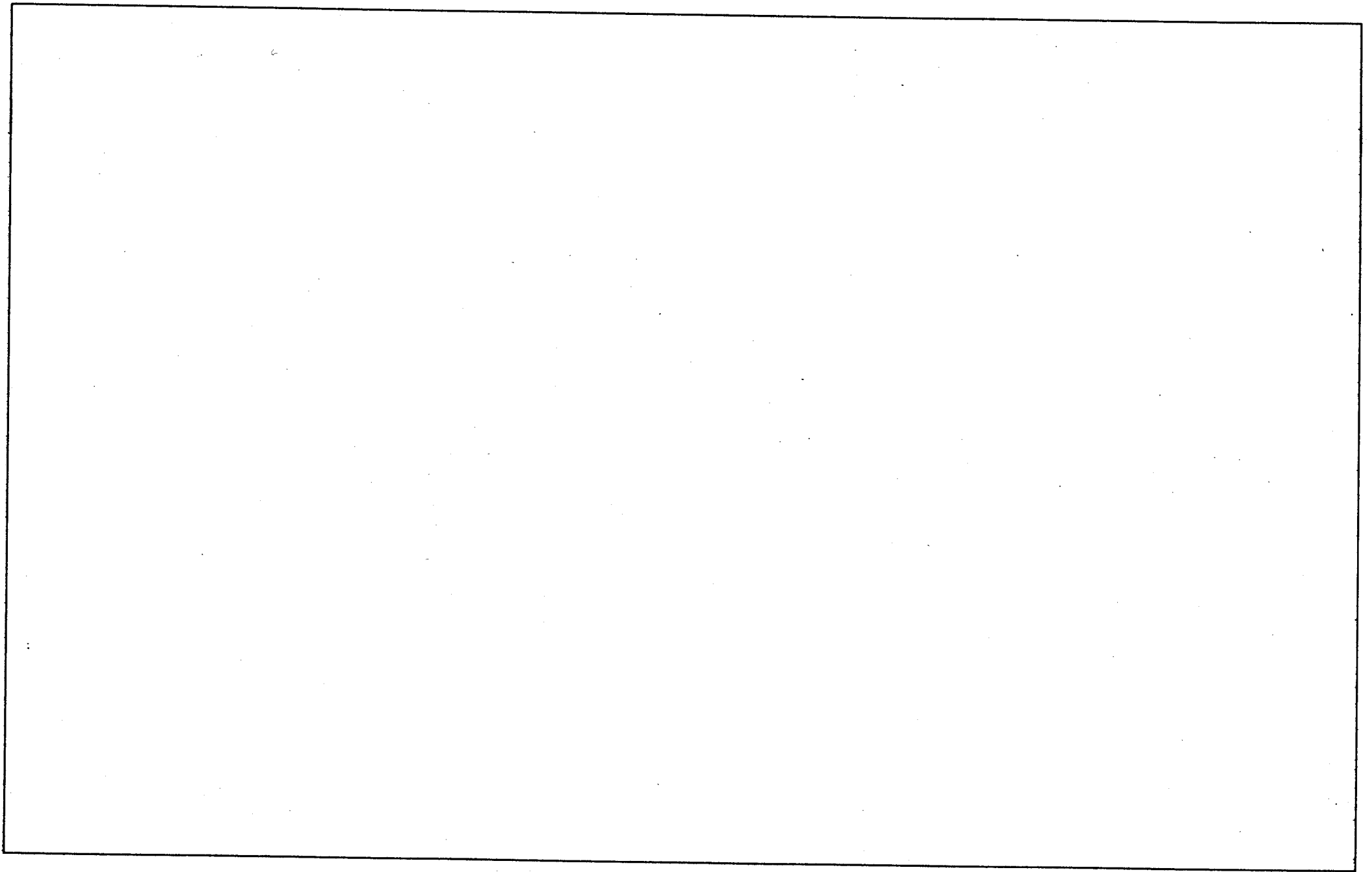
AA  
BB  
CC  
DD  
EE

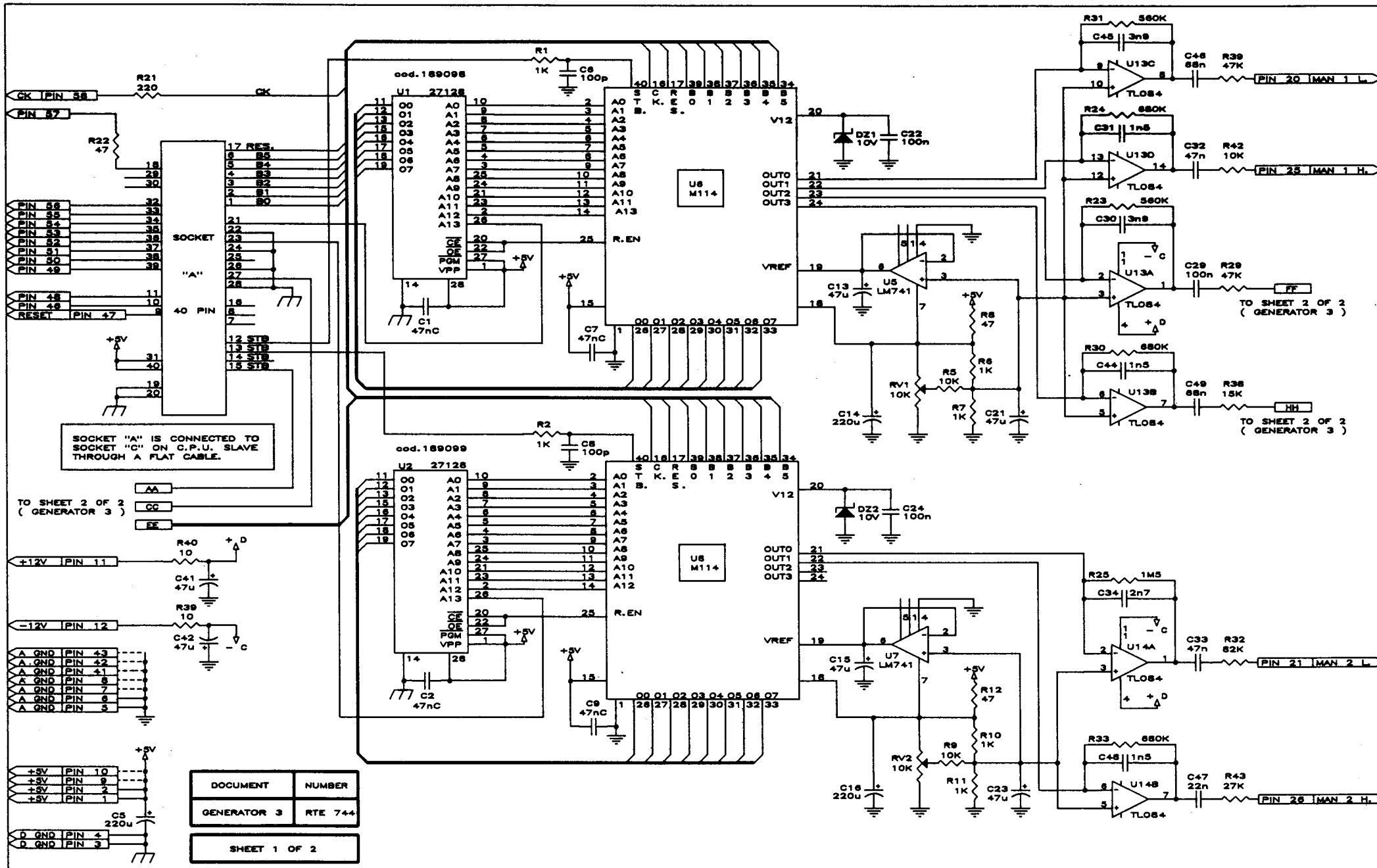
DOCUMENT	NUMBER
GENERATOR 1	RTE 744
SHEET 2 OF 2	





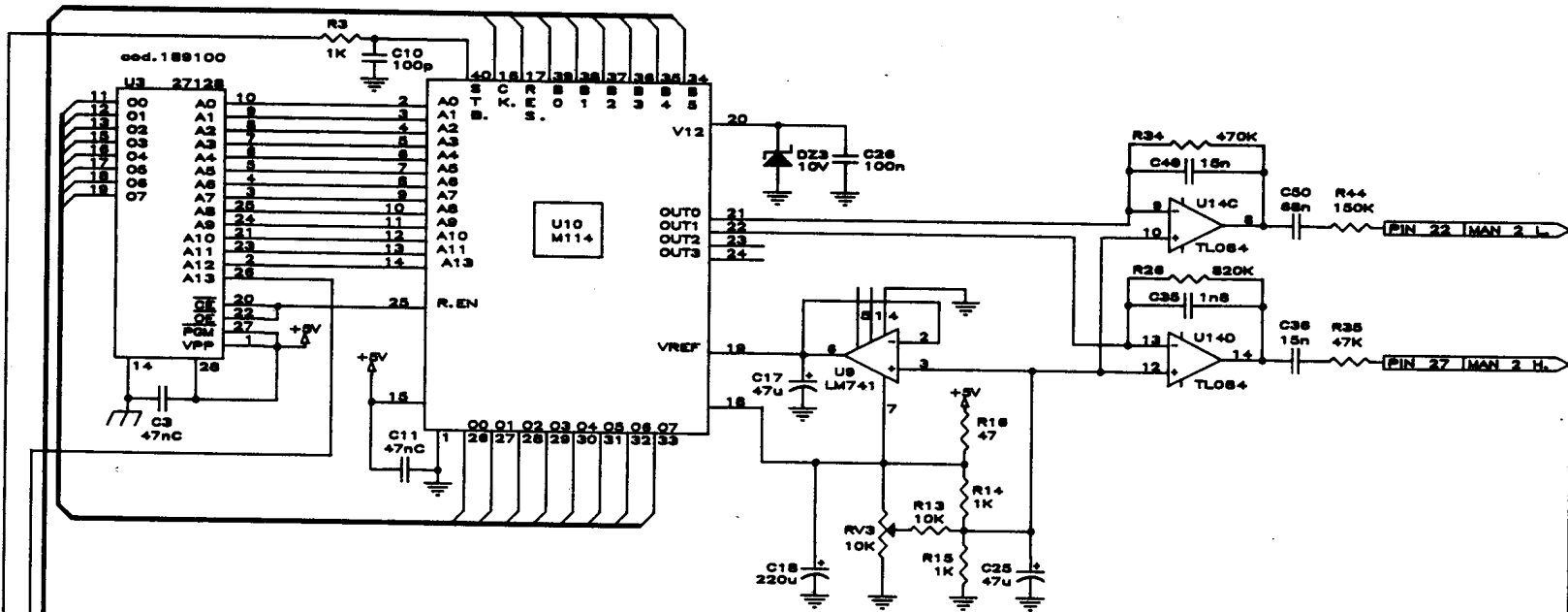




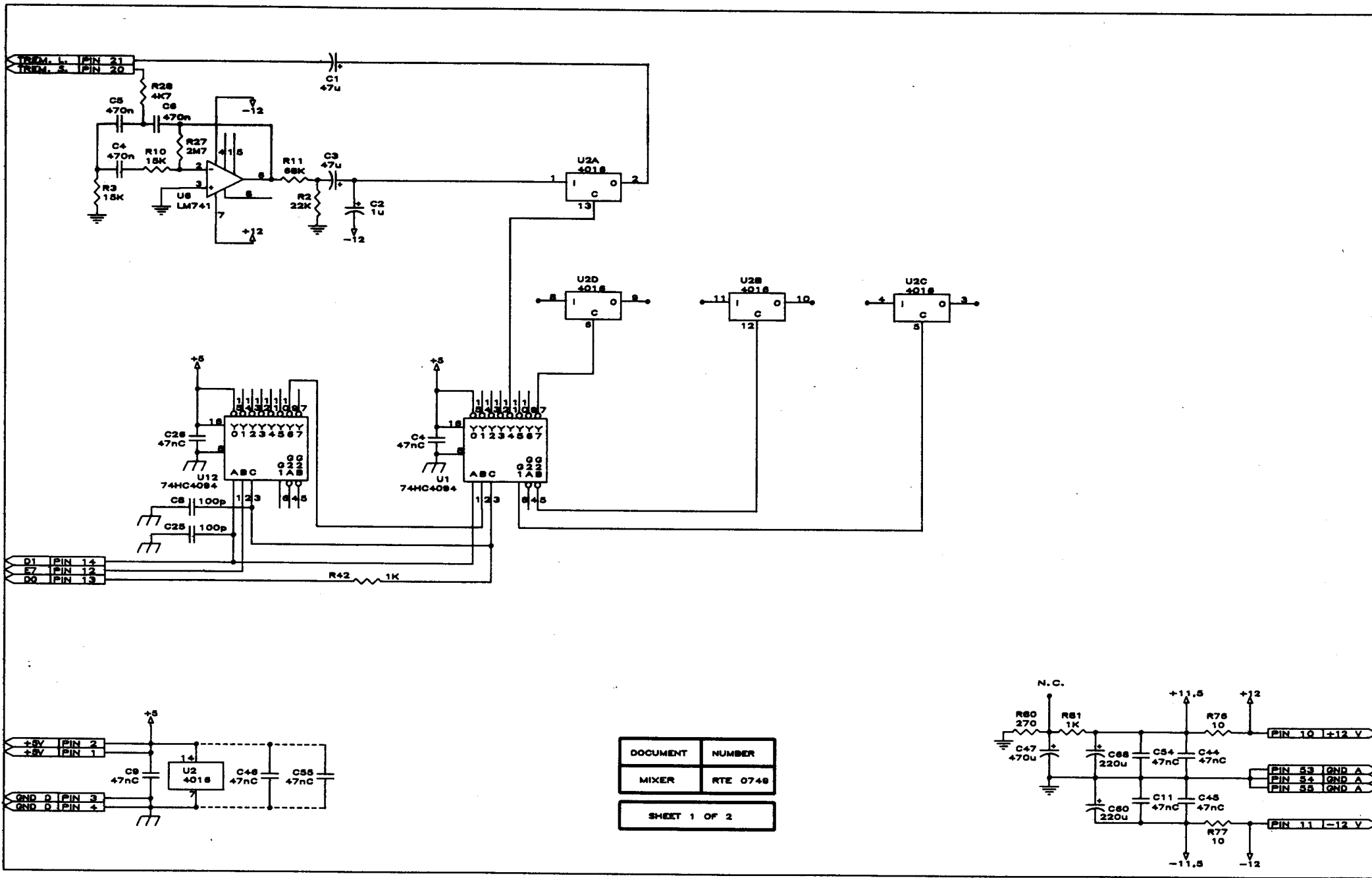


FROM SHEET 1 OF 2  
( GENERATOR 3 )

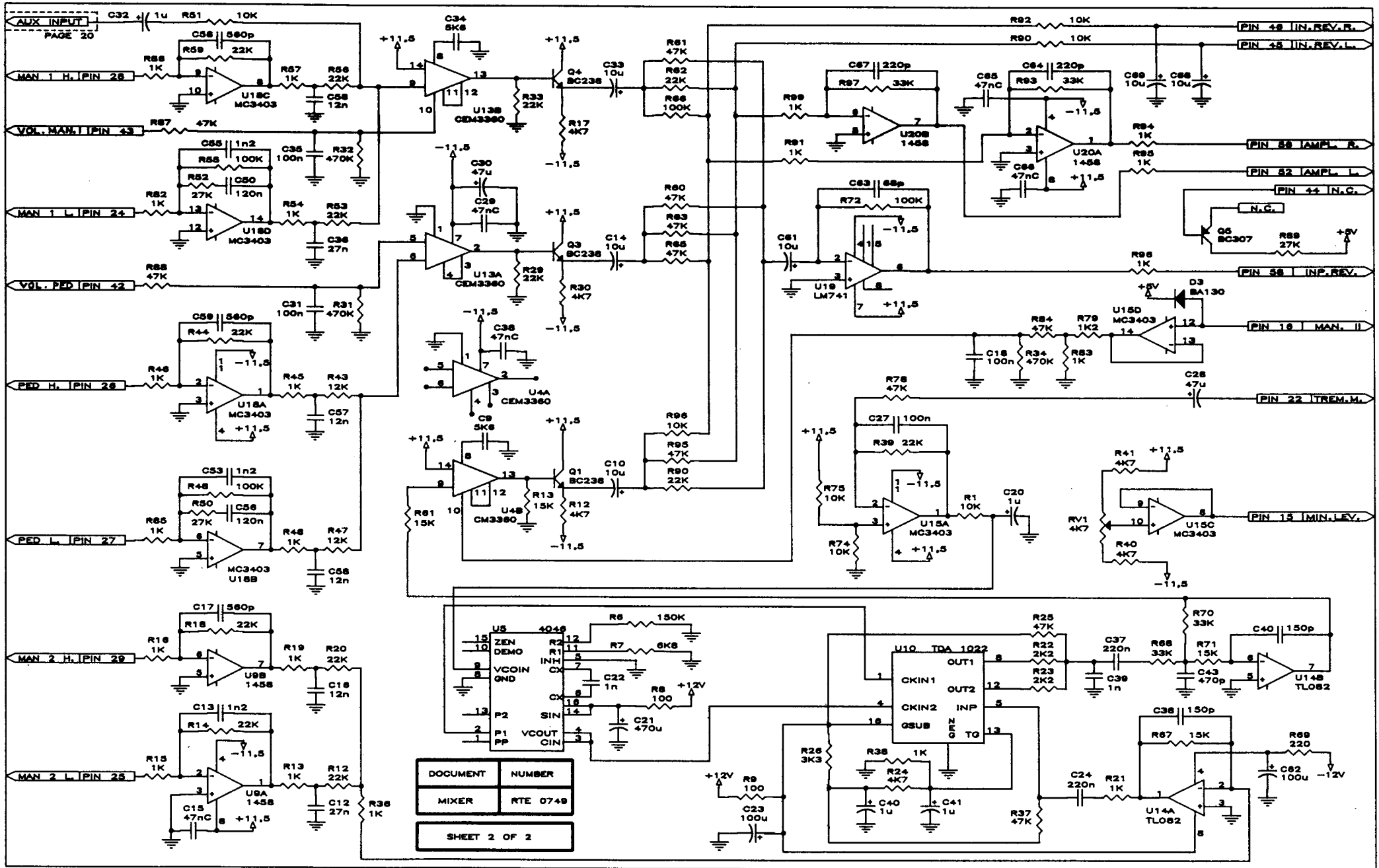
AA  
CC  
EE



DOCUMENT	NUMBER
GENERATOR 3	RTE 744
SHEET 2 OF 2	

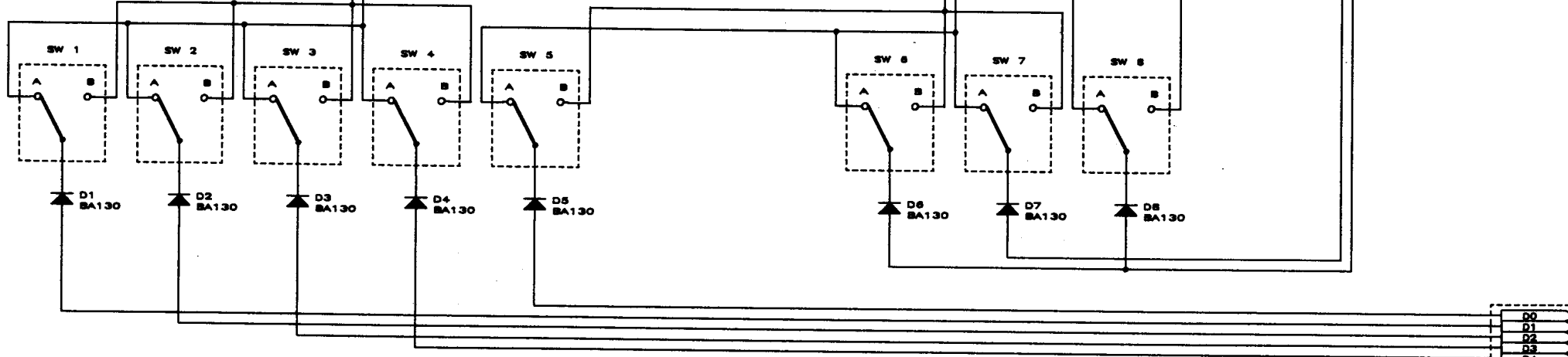


DOCUMENT	NUMBER
MIXER	RTE 0748
SHEET 1 OF 2	



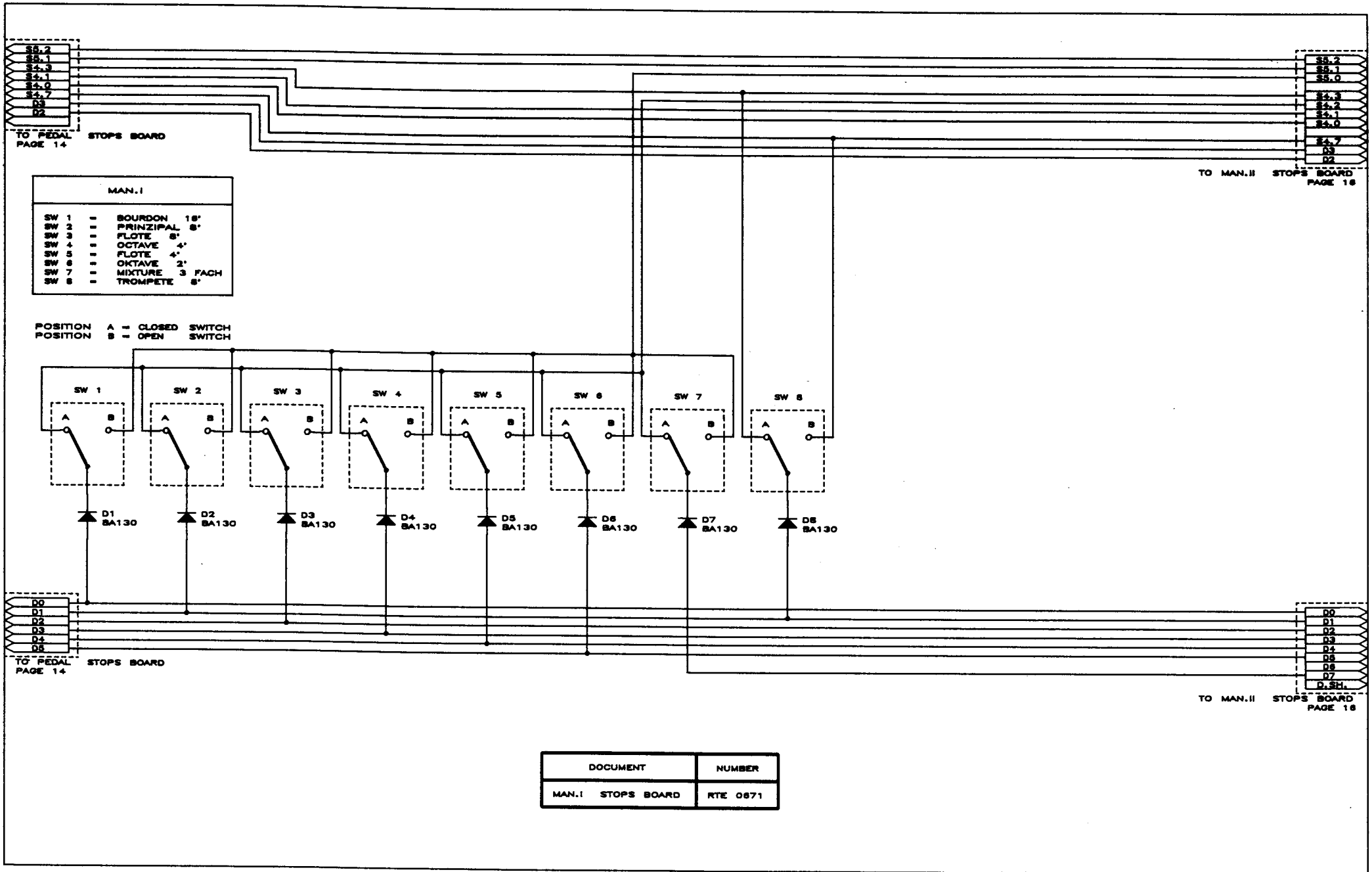
PEDAL	
SW 1	- SUBBASS 16'
SW 2	- PRINZIPAL 8'
SW 3	- BOURDON 8'
SW 4	- OKTAVE 4'
SW 5	- FAGOTT 8'
SW 6	- I / P
SW 7	- II / P
SW 8	- II / I

POSITION A = CLOSED SWITCH  
 POSITION B = OPEN SWITCH



TO MAN.I STOPS BOARD  
 PAGE 15

DOCUMENT	NUMBER
PEDAL STOPS BOARD	RTE 0870A



MAN.I	
SW 1	= BOURDON 16'
SW 2	= PRINZIPAL 8'
SW 3	= FLOTE 8'
SW 4	= OCTAVE 4'
SW 5	= FLOTE 4'
SW 6	= OKTAVE 2'
SW 7	= MIXTURE 3 FACH
SW 8	= TROMPETE 8'

POSITION A = CLOSED SWITCH  
 POSITION B = OPEN SWITCH

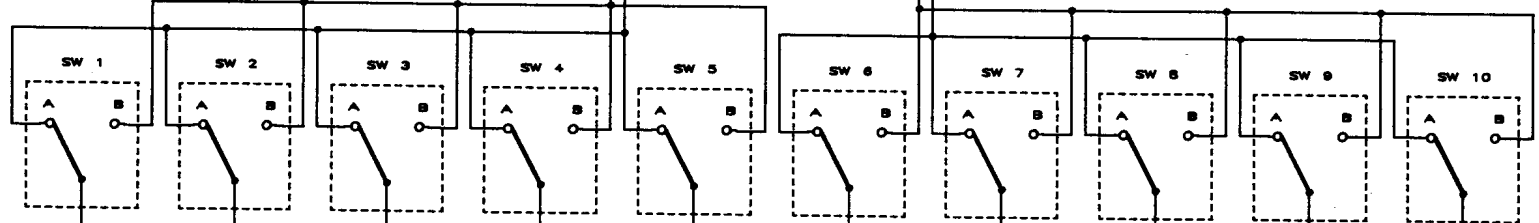
DOCUMENT	NUMBER
MAN.I STOPS BOARD	RTE 0871

TO MAN.I  
STOPS BOARD  
PAGE 15

SS.2  
SS.1  
SS.0  
SA.3  
SA.2  
SA.1  
SA.0  
SA.7  
DS  
D2  
D2

MAN.II	
SW 1	= BOURDON 6"
SW 2	= SALIZIONAL 6"
SW 3	= OKTAVE 4'
SW 4	= FLOTE 4'
SW 5	= NASAT 2 2/3'
SW 6	= TERTS 1 3/5'
SW 7	= ZIMBEL 3 FACH
SW 8	= OBOE 6"
SW 9	= VOX COELESTIS 6"
SW 10	= TREMULANT

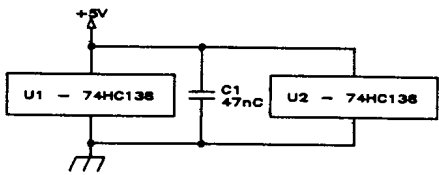
POSITION A = CLOSED SWITCH  
POSITION B = OPEN SWITCH



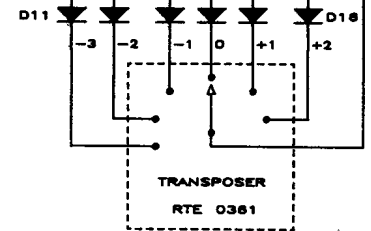
D1 BA130    D2 BA130    D3 BA130    D4 BA130    D5 BA130    D6 BA130    D7 BA130    D8 BA130    D9 BA130    D10 BA130

D0  
D1  
D2  
D3  
D4  
D5  
D6  
D7  
D.SH.

TO MAN.I  
STOPS BOARD  
PAGE 15



DOCUMENT	NUMBER
MAN.II STOPS BOARD	RTE 0876B



TRANSPOSER  
RTE 0381

TO MOTHER BOARD  
PAGE 4

A0  
A1  
A2  
STRONG  
DN.4  
DN.5  
SS.5  
SS.4  
SS.3

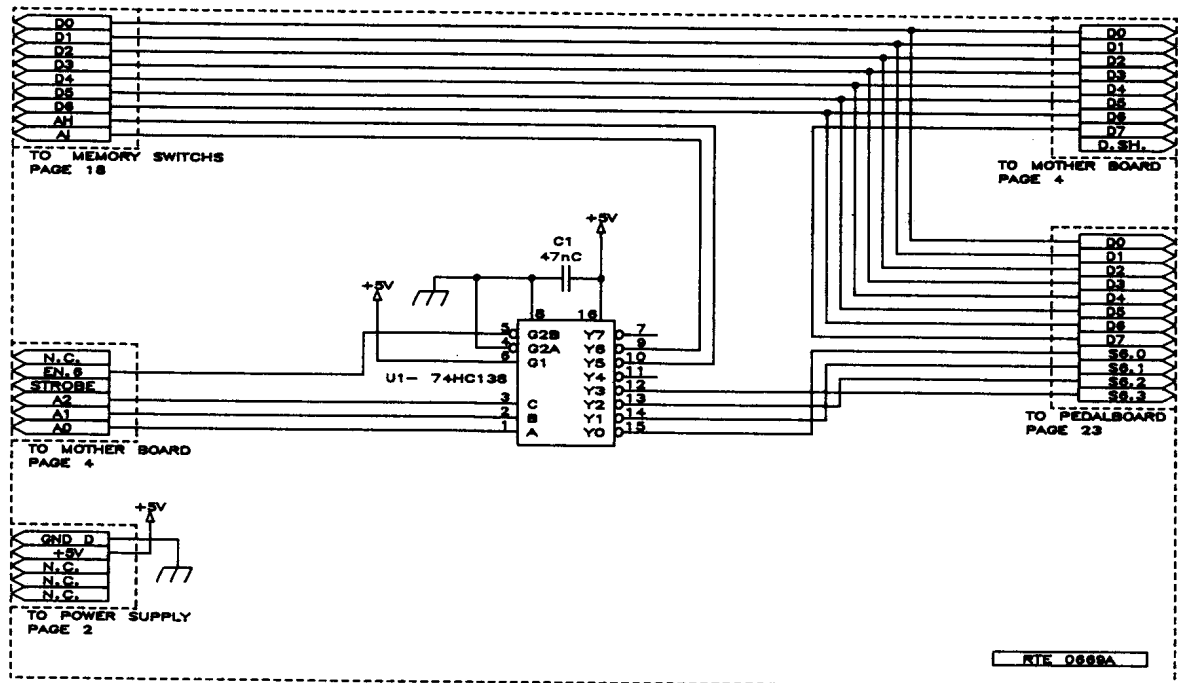
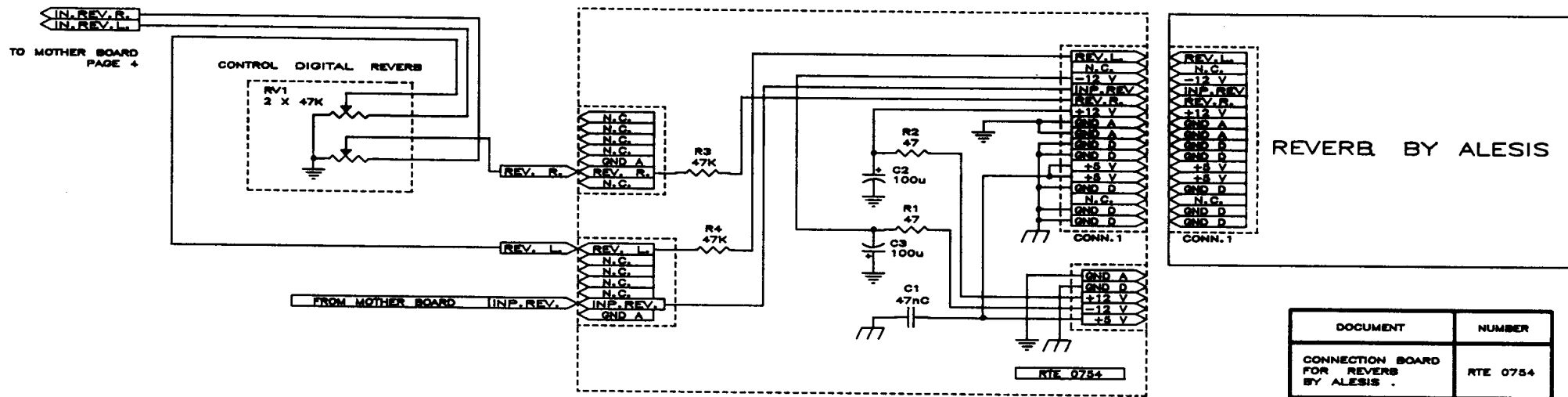
TO POWER SUPPLY  
PAGE 2

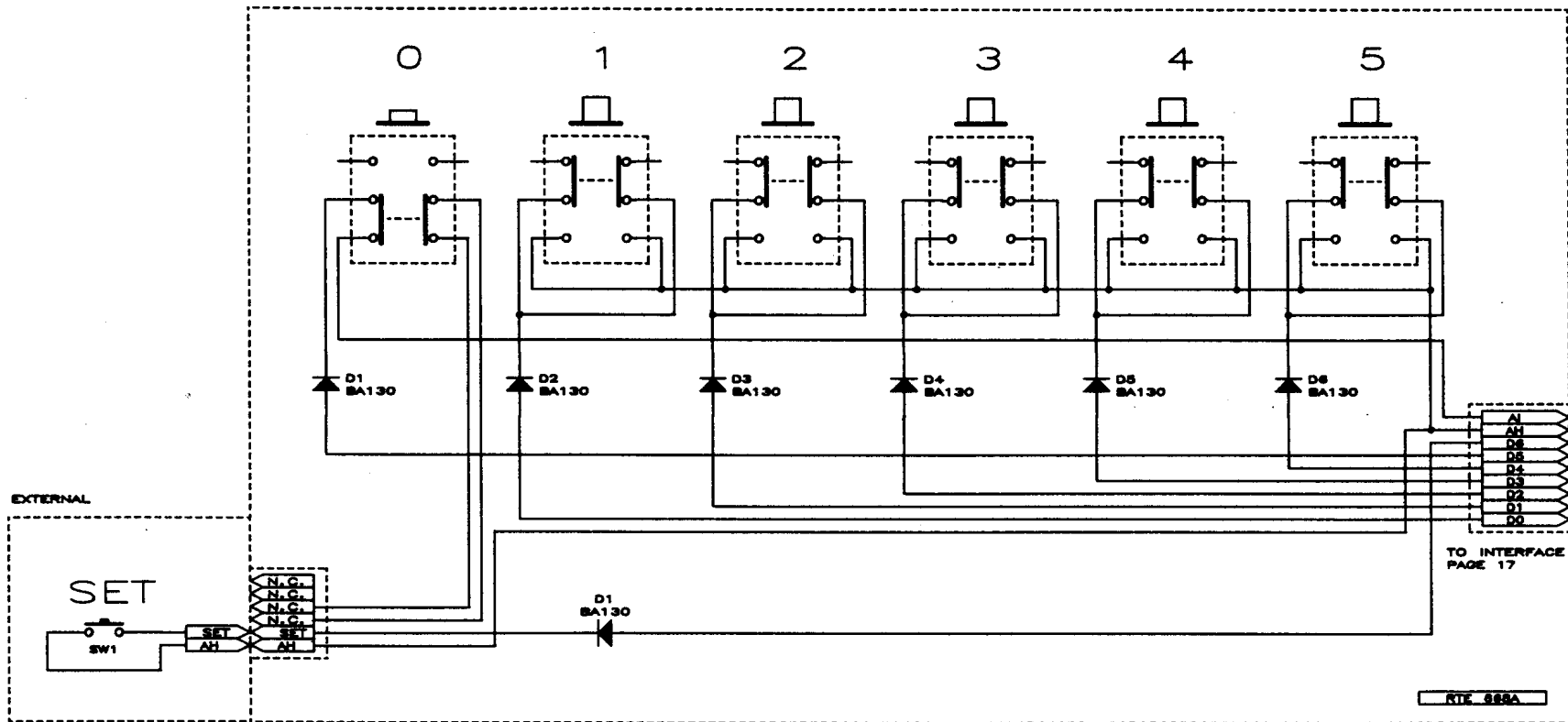
+5V  
+5V  
+5V  
GND D  
GND D  
GND D

TO MOTHER BOARD  
PAGE 4

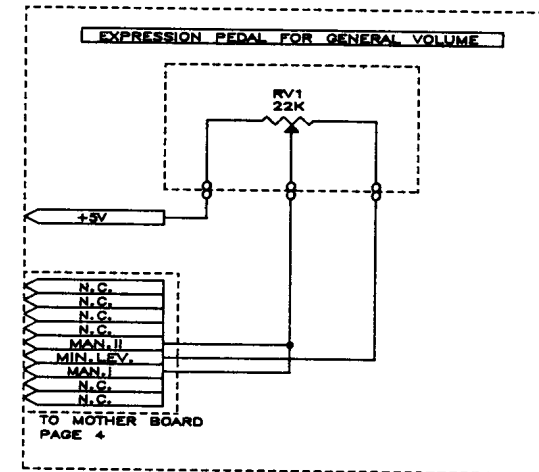
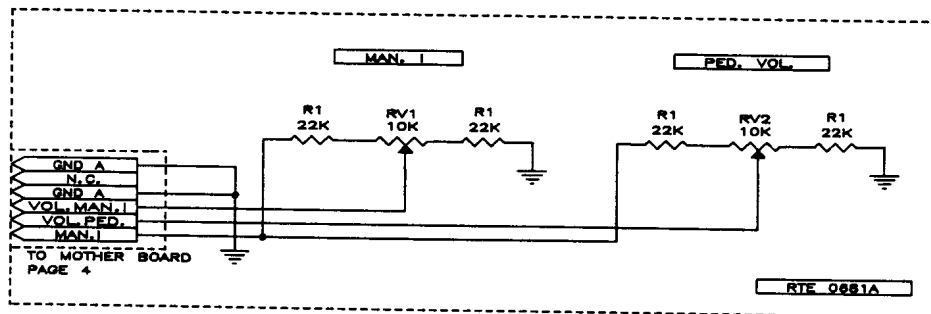
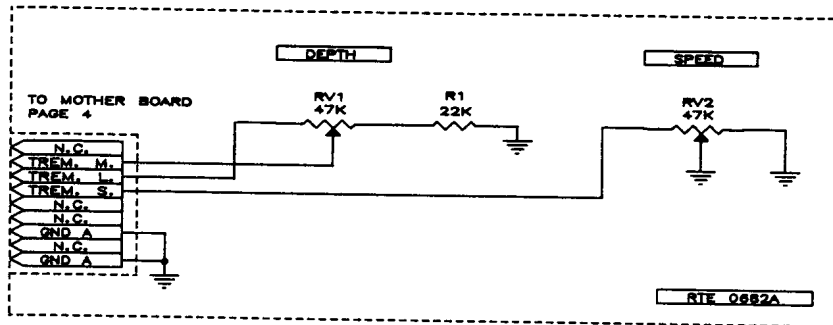
D0  
D1  
D2  
D3  
D4  
D5  
D6  
D7  
D.SH.



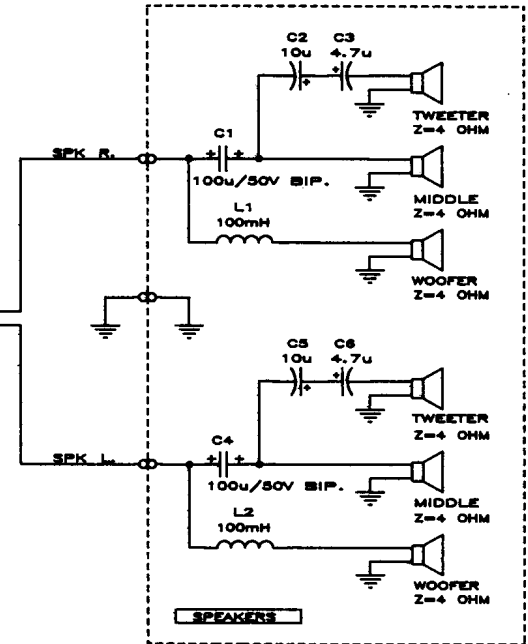
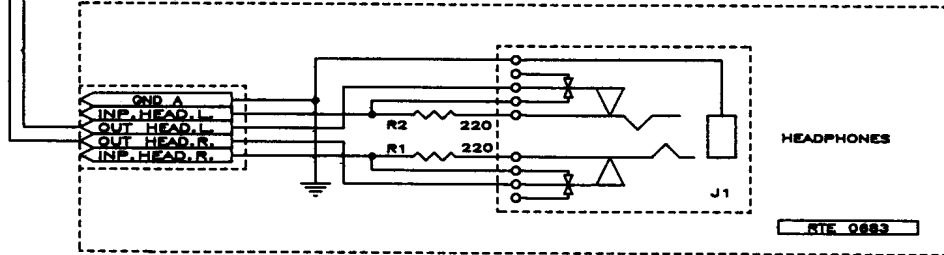
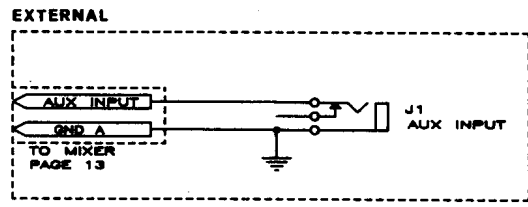
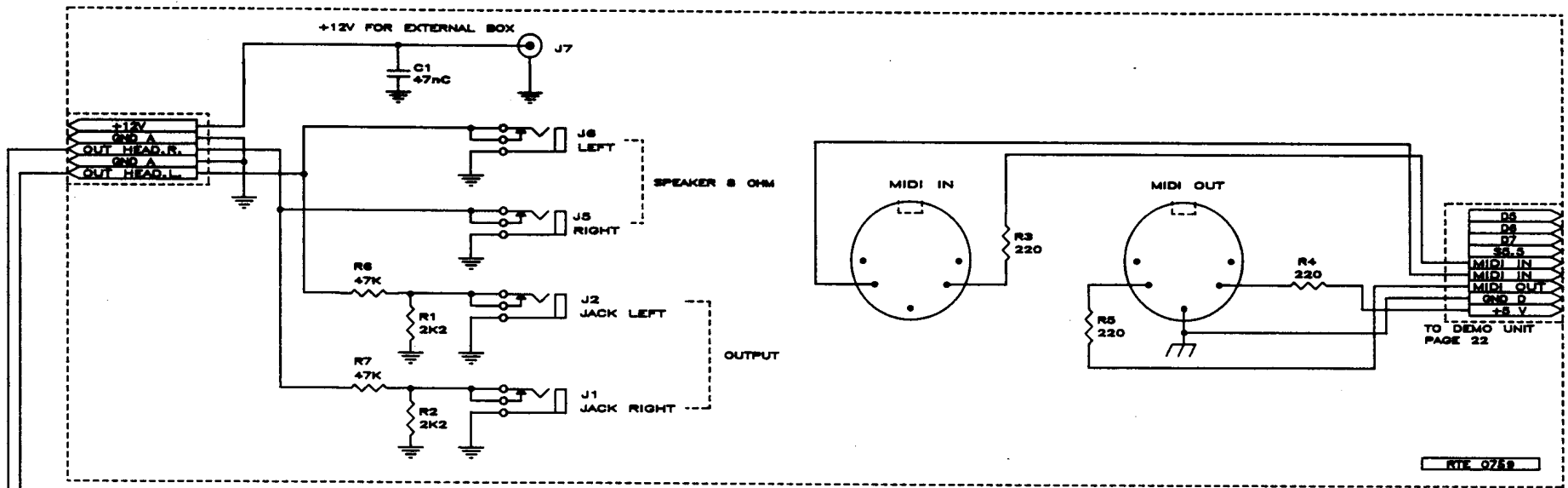




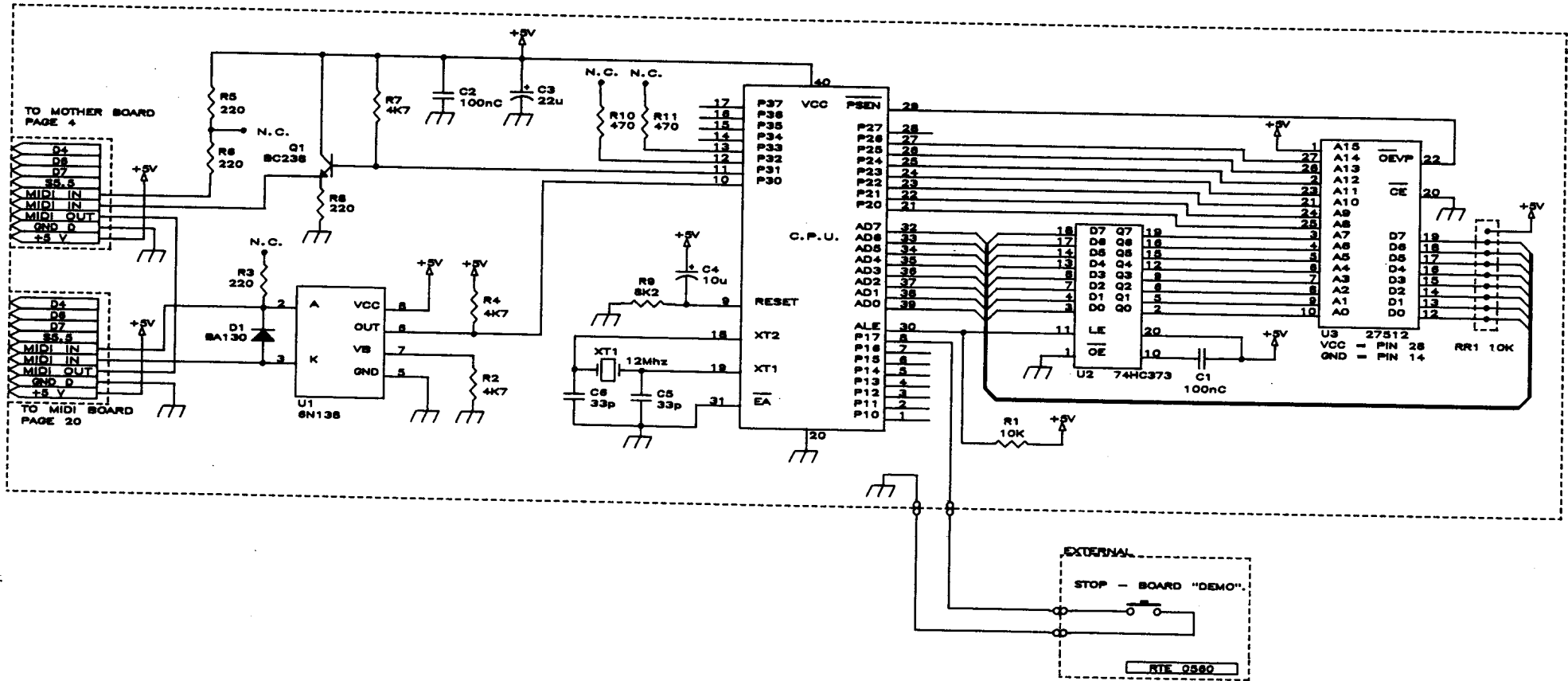
DOCUMENT		NUMBER
MEMORY SWITCHS		RTE 688A



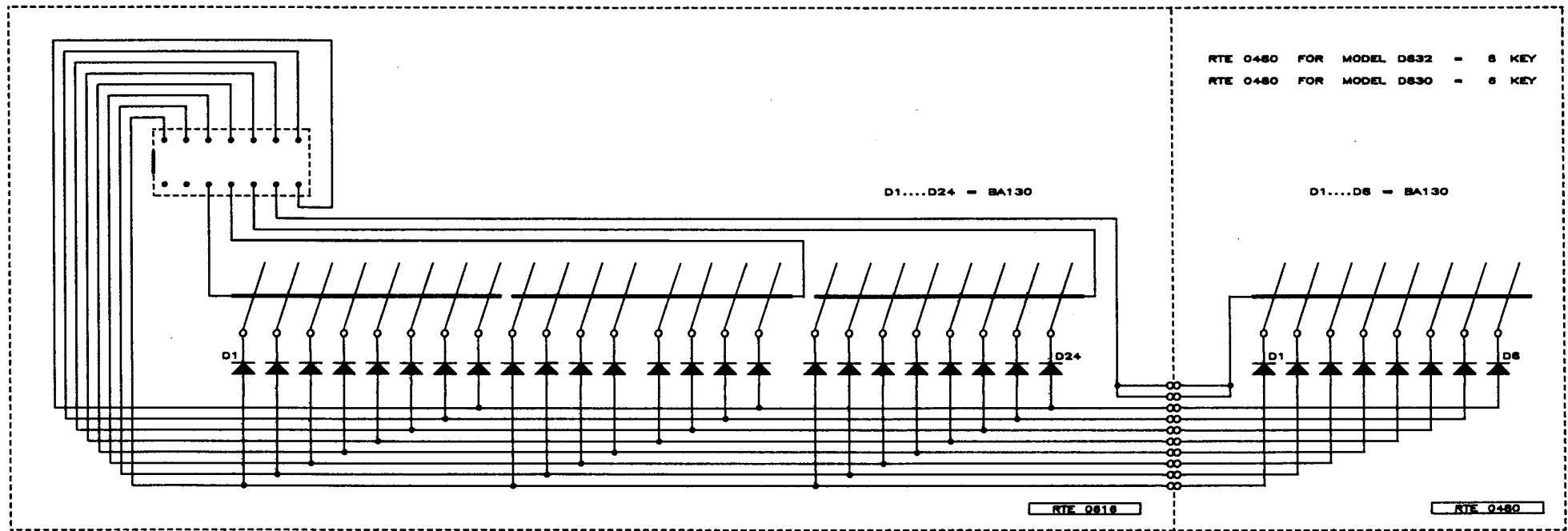
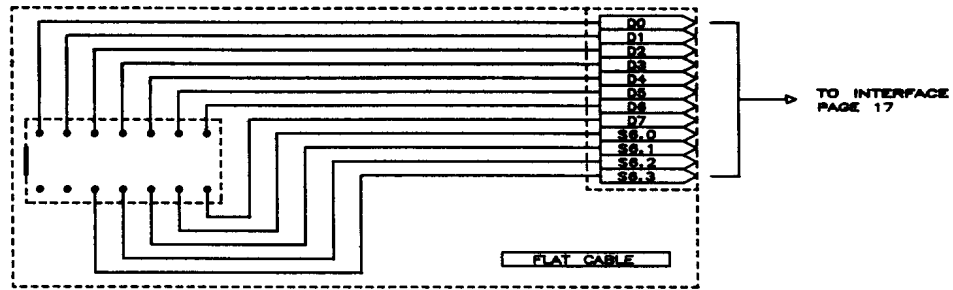
DOCUMENT	NUMBER
CONTROLS VOLUME	RTE 0681A RTE 0682A
EXPRESSION PEDAL FOR GENERAL VOLUME	



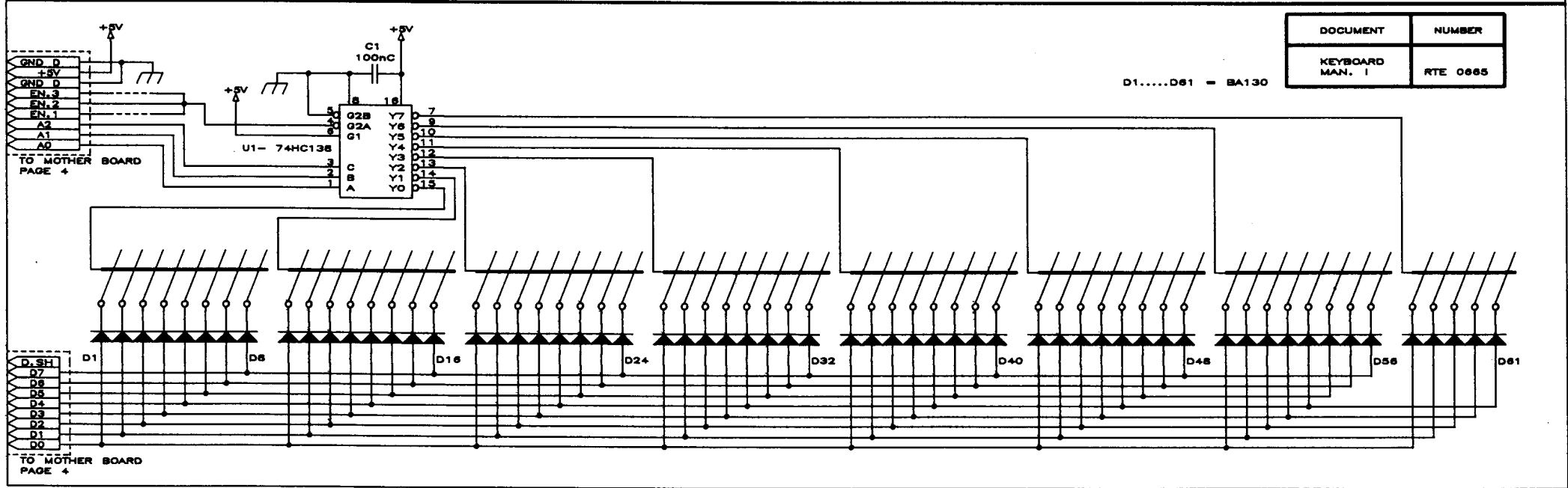
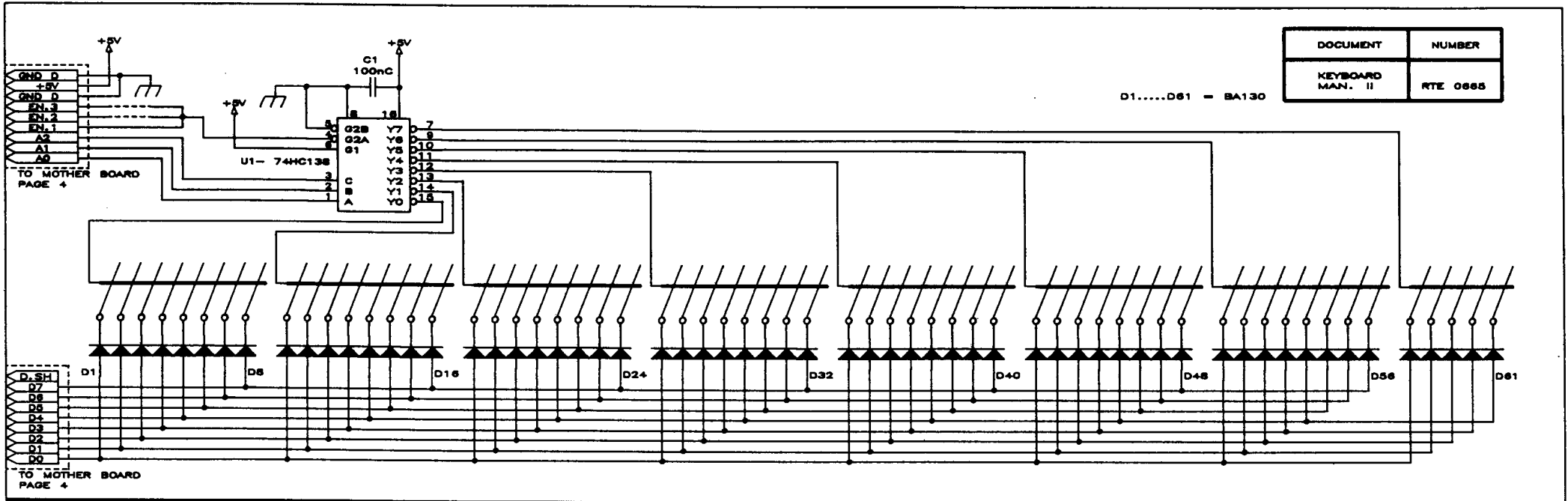
DOCUMENT	NUMBER
MIDI BOARD	RTE 0759
HEADPHONES	RTE 0883



DOCUMENT	NUMBER
DEMO UNIT	RTE 0778



DOCUMENT	NUMBER
PEDALBOARD	RTE 0616 RTE 0480



# viscount<sup>®</sup>

Church Organ Division

made by:

VISCOUNT INTERNATIONAL S.p.A.  
P.O. Box 5  
47836 MONDAINO (RN) - ITALY  
Tel. 0541981700 - Fax. 0541981052  
E-mail : [rte@hi-net.it](mailto:rte@hi-net.it)

TITAN MUSIC S.A.  
Strada Genghe di Atto,80  
47892 ACQUAVIVA - Rep. San Marino  
Tel. 0549999164 - Fax. 0549999490